



PLATINUM SPOT LED II™

SKU# **EPS059**

The Platinum Spot LED II™ features a 135W Cool White LED engine, 17° beam, 8 dichroic colors plus white, 7 rotating, interchangeable, glass and 7 static metal gobos, frost filter hybrid wash effect, 3-facet rotating prism with 16 prism macros, motorized iris, focus, and dimming, high speed mechanical shutter and strobe, hibernation mode, 3 and 5pin DMX in/out connections, RDM (Remote Device Management), full color 180° reversible menu display with 6 button touch control panel, battery backup for display power, a multi-voltage universal auto switching power supply (100-240v), and flicker free operation for TV and FILM.



FEATURES

Cool White 17° Beam LED Spot Illuminare

135W, 6,500K, >85CRI, 60,000 Hours

Low Heat, Quiet Operation, and Hibernation Mode

8 Dichroic Colors + White

7 Rotating Interchangeable and 7 Static Gobos

3-Facet Rotating Prism and Frost Filter Hybrid Wash Effect

Flicker Free Operation For Broadcast TV and FILM



ELATION | PLATINUM SPOT LED II™ | Product Specification Sheet

Specifications are subject to change without notice ©Elation Professional

Elation Professional USA | 6122 S. Eastern Ave. | Los Angeles, CA. 90040
323-582-3322 | 323-832-9142 fax | www.elationlighting.com | info@elationlighting.com

Elation Professional B.V. | Junostraat 2 | 6468 EW Kerkrade, Netherlands
+31 45 546 85 66 | +31 45 546 85 96 fax | www.elationlighting.eu | info@elationlighting.eu

PRODUCT SPECIFICATIONS

FEATURES

Cool White 17° Beam LED Spot Illuminare
 Low Heat, Quiet Operation, and Hibernation Mode
 Frost Filter Hybrid Wash + Infinity Prism Effects
 Flicker Free Operation For Broadcast TV and FILM

SOURCE

135W Cool White LED Engine
 60,000 Hour Average LED Life

PHOTOMETRIC DATA

6,500K, >85CRI
 11,220 LUX 1,042 FC @8.2' (2.5m) (17° Full ON)

EFFECTS

Frost Filter Hybrid Wash Effect
 3-Facet + Infinity Rotating Prisms and Macros
 Motorized Focus
 Iris: 5% - 100%
 Strobe: 1-18fps
 Dimming 0% - 100%

COLOR

8 Dichroic Colors + White (Open)

GOBOS

7 Interchangeable / Rotating / Indexing Glass Gobos
 Gobo Size: OD 1.06" (27mm) / ID 0.86" (22mm)
 7 Static / Indexing Metal Gobos

CONTROL / CONNECTIONS

(3) DMX Channel Modes (16 / 14 / 22)
 RDM (Remote Device Management)
 6 Button Touch Control Panel
 Full Color 180° Reversible LCD Menu Display
 8 / 16 Bit Resolution Adjustable Movement
 3pin & 5pin DMX In/Out

SIZE / WEIGHT

Length: 14.1" (357mm)
 Width: 13.2" (335mm)
 Vertical Height: 20.7" (526mm)
 Weight: 35.3 lbs. (16 kg)

ELECTRICAL / THERMAL

AC 100-240V - 50/60Hz
 230W Max Power Consumption
 -13°F to 113°F (-25°C to 45°C)

APPROVALS / RATINGS

cETLus Approved
 IP20 Rated

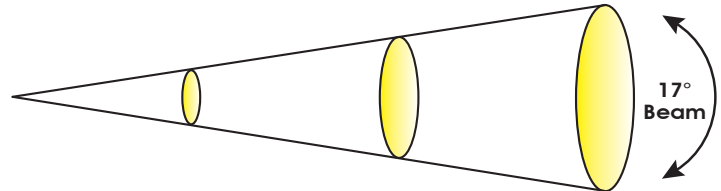
INSTALLATION

Rigging: Clamps (Not Included)
 Working Position: Flat Surface / Inverted (180°)

INCLUDED ITEMS

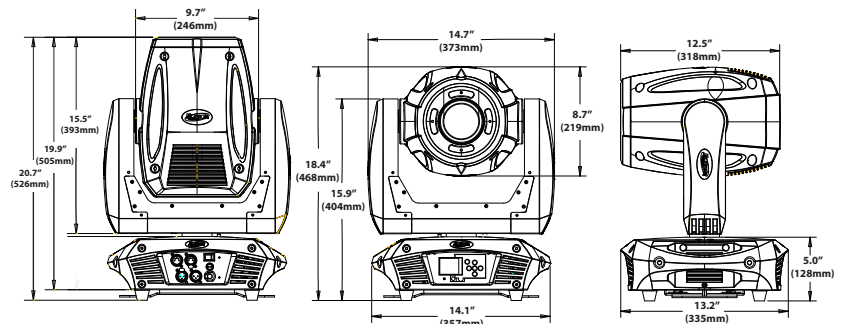
Omega Brackets
 3pin DMX Cable
 Safety Cable
 powerCON Cable

PHOTOMETRIC DATA



	m	ft	m	ft	m	ft
Distance	2.5	8.2	5	16.4	7.5	24.6
17° Beam Diameter	0.75	2.5	1.41	4.6	2.05	6.7
Full ON	11,220	1042	2,980	277	1,360	126

DIMENSIONAL DIAGRAMS



OPTIONAL ACCESSORIES

ORDER CODE	ITEM
TRIGGER CLAMP	Heavy Duty Wrap Around Hook Style Clamp
DRCPLAT	Dual Road Case For Platinum Spot LED II™
DRCPLATQUAD	Quad Road Case For Platinum Spot LED II™
ELO211	Eloader II™ Software Updater Box
EWDMSYSTEM	Wireless DMX System (1 Transmitter, 1 Receiver)
EWDMT	Wireless DMX Transmitter
EWDMXR	Wireless DMX Receiver
AC3PDMX5PRO	5 ft. (1.5m) 3pin PRO DMX Cable
AC3PDMX10PRO	10 ft. (3m) 3pin PRO DMX Cable
AC3PDMX15PRO	15 ft. (4.5m) 3pin PRO DMX Cable
AC5PDMX5PRO	5 ft. (1.5m) 5pin PRO DMX Cable
AC5PDMX10PRO	10 ft. (3m) 5pin PRO DMX Cable
AC5PDMX15PRO	15 ft. (4.5m) 5pin PRO DMX Cable
	Additional cable lengths available: 25, 50, 100 ft (7.5, 15.2, 30.5m)



Specifications are subject to change without notice ©Elation Professional

Elation Professional USA | 6122 S. Eastern Ave. | Los Angeles, CA, 90040
 323-582-3322 | 323-832-9142 fax | www.elationlighting.com | info@elationlighting.com

Elation Professional B.V. | Junostraat 2 | 6468 EW Kerkrade, Netherlands
 +31 45 546 85 66 | +31 45 546 85 96 fax | www.elationlighting.eu | info@elationlighting.eu